

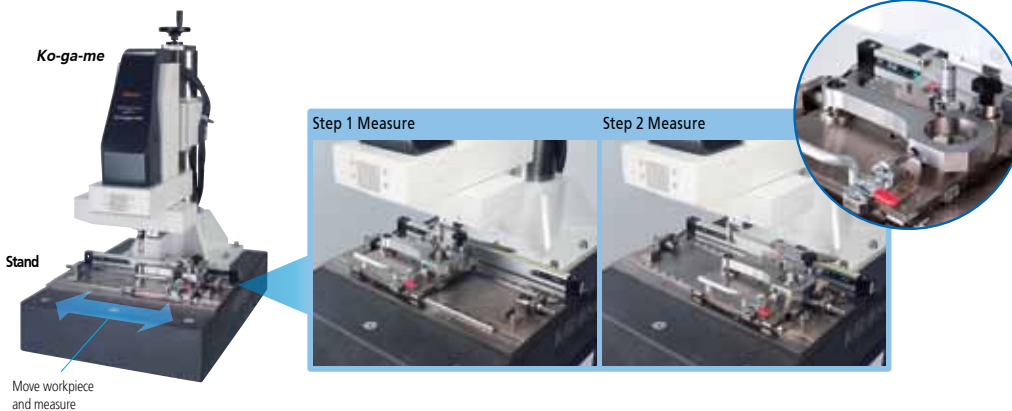
NEW PRODUCT INFORMATION

Ko-ga-me[®] Agile Measuring System

Mitutoyo Ko-ga-me[®] is a compact, 3D CNC measuring system that can flexibly configure to almost any process

FEATURES

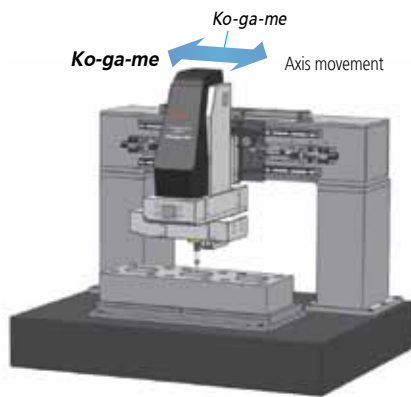
- The Mitutoyo Ko-ga-me[®] is small-sized, requiring only a minimal envelope 17.3" (440mm) x 16.1" (410mm) x 4.7" (120mm)
- Ko-ga-me[®] is agile and easy for a customer to mount – using either an available fixed base (workpiece moves between measurement) or using a moving-axis mounting system of your own design.
- Can be used in stand-alone applications or integrated into work cells.
- Ideal for inspection of large or small workpieces and offers a wide range of available measurement probes including touch-trigger, optical or constant contact probing.
- 40mm, 80mm, and 120mm measuring range models
- Resolution of 0.02 μ m, a measuring accuracy from 2.0 + 5L/1000 μ m.



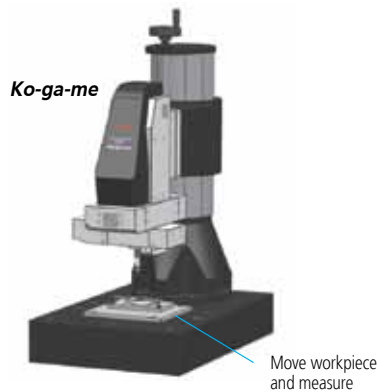
Mitutoyo

Precision is our Profession

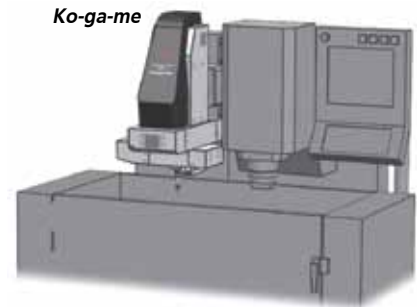
■ Move Ko-ga-me to measure



■ Using a stand



■ Combined with a machine tool



Specifications

Model Name		KGM884-3V	KGM12124-3V
Part Number		357-126	357-136
Probe System		PH6 & TP200	
Measuring Range(mm)		3.14" x 3.14" x 1.57" (80mm x 80mm x 40mm)	4.72" x 4.72" x 1.57" (120mm x 120mm x 40mm)
Mass of main unit		57.3 lbs. (26kg)	63.9 lbs. (29kg)
Scale resolution		0.02µm	0.02µm
Measuring Accuracy ¹		2.0 + 5L/1000µm	
Driving Speed (mm/sec)	CNC mode	1 axis	Max. 200mm/sec
		3 axis	Max. 340mm/sec
		Measure	0 ~ 15mm/sec
	J/S mode	Rapid	0 ~ 80mm/sec
		Measure	0 ~ 15mm/sec
		Fine	0.01mm/sec
Driving acceleration (mm/sec ²)	1 axis	0.39G	
	3 axis	0.68G	
Guiding method		Straight-motion hard bearing	
Driving method		DC servo motor/ball screw (velocity & position feedback)	
Length standard		Linear encoder	

¹∅3mm x L10mm stylus

²Crysta-AS500: 1.9+3L/1000µm

Note: All information regarding our products, and in particular the illustrations, drawings, dimensional and performance data contained in this printed matter as well as other technical data are to be regarded as approximate average values. We therefore reserve the right to make changes to the corresponding designs. The stated standards, similar technical regulations, descriptions and illustrations of the products were valid at the time of printing. In addition, the latest applicable version of our General Trading Conditions will apply. Only quotations submitted by ourselves may be regarded as definitive.

Mitutoyo products are subject to US Export Administration Regulations (EAR). Re-export or relocation of Mitutoyo products may require prior approval by an appropriate governing authority.

Trademarks and Registrations

Designations used by companies to distinguish their products are often claimed as trademarks. In all instances where Mitutoyo America Corporation is aware of a claim, the product names appear in initial capital or all capital letters. The appropriate companies should be contacted for more complete trademark and registration information.

We reserve the right to change specifications and prices without notice.

Coordinate Measuring Machines

Vision Measuring Systems

Form Measurement

Optical Measuring

Sensor Systems

Test Equipment and Seismometers

Digital Scale and DRO Systems

Small Tool Instruments and Data Management

Mitutoyo Canada Inc.

www.mitutoyo.ca

2121 Meadowvale Blvd.

Mississauga, ON L5N 5N1

Tel. (905) 821-1261

7075 Place Robert-Joncas, Suite 129

Montréal, PQ H4M 2Z2

Tél. (514) 337-5994

Mitutoyo

Precision is our Profession