

NEW

PRODUCT INFORMATION

ID-S Solar ABS Indicator Solar Powered Indicator without Battery

WORLD'S FIRST!
SOLAR
ABS Digimatic Indicator



ABSOLUTE

ABSOLUTE System Patented by MITUTOYO

ID-S Solar ABS Digimatic Indicator

- Solar-powered measurement tool is ready for use from 40 lux illumination
- Large function buttons
- Mitutoyo's patented ABS (ABSOLUTE) sensor automatically restores the last origin position when the indicator is turned on. This allows quick-start operation, which is especially useful in multipoint measurement
- Super capacitor maintains a reserve of approximately 3.5 hours under low light conditions
- Origin-set, +/- direction and inch/mm
- Resolution: .0005"/0.01mm or .00005"/0.001mm
- Measuring Range: .5"/12.7mm
- Stem Diameter: 3/8" or 8mm available
- With SPC output
- Character Height: 9mm

Mitutoyo
Precision is our Profession

Specifications

Code No.	Range	Resolution	Stem Diameter	Measuring Force	Back Type
543-502	.5"/12.7mm	.00005"/0.001mm	(ANSI) 3/8"	1.5N or less	Lug Back
543-502B	.5"/12.7mm	.00005"/0.001mm	(ANSI) 3/8"	1.5N or less	Flat Back
543-507	.5"/12.7mm	.0005"/0.01mm	(ANSI) 3/8"	1.5N or less	Lug Back
543-507B	.5"/12.7mm	.0005"/0.01mm	(ANSI) 3/8"	1.5N or less	Flat Back
543-500	12.7mm	0.001mm	(ISO) 8mm	1.5N or less	Lug Back
543-500B	12.7mm	0.001mm	(ISO) 8mm	1.5N or less	Flat Back
543-505	12.7mm	0.01mm	(ISO) 8mm	1.5N or less	Lug Back
543-505B	12.7mm	0.01mm	(ISO) 8mm	1.5N or less	Flat Back
543-501	.5"/12.7mm	0.001mm	(ISO) 8mm	1.5N or less	Lug Back
543-501B	.5"/12.7mm	0.001mm	(ISO) 8mm	1.5N or less	Flat Back
543-506	.5"/12.7mm	0.01mm	(ISO) 8mm	1.5N or less	Lug Back
543-506B	.5"/12.7mm	0.01mm	(ISO) 8mm	1.5N or less	Flat Back



Lifting Lever



Lifting Knob



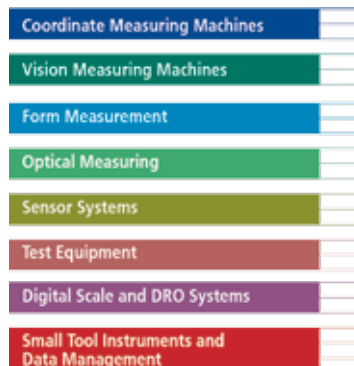
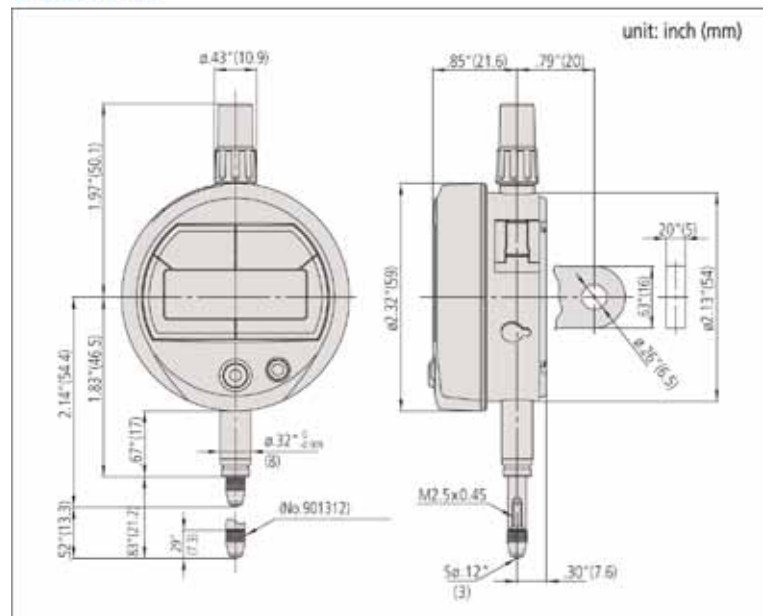
Lifting Cable



Optional accessories

Lifting lever (mm)	:No. 21EZA198
Lifting lever (inch)	:No. 21EZA199
Lifting cable	:No. 540774
Lifting knob (mm)	:No. 21EZA105
Lifting knob (inch)	:No. 21EZA150
Digimatic cable (1m)	:No. 905338
Digimatic cable (2m)	:No. 905409

Dimensions



Mitutoyo Canada Inc.
www.mitutoyo.ca

M³ Solution Centers

Mississauga, Ontario
905.821.1261

Montreal, Quebec
514-337-5994

Mitutoyo
Precision is our Profession