

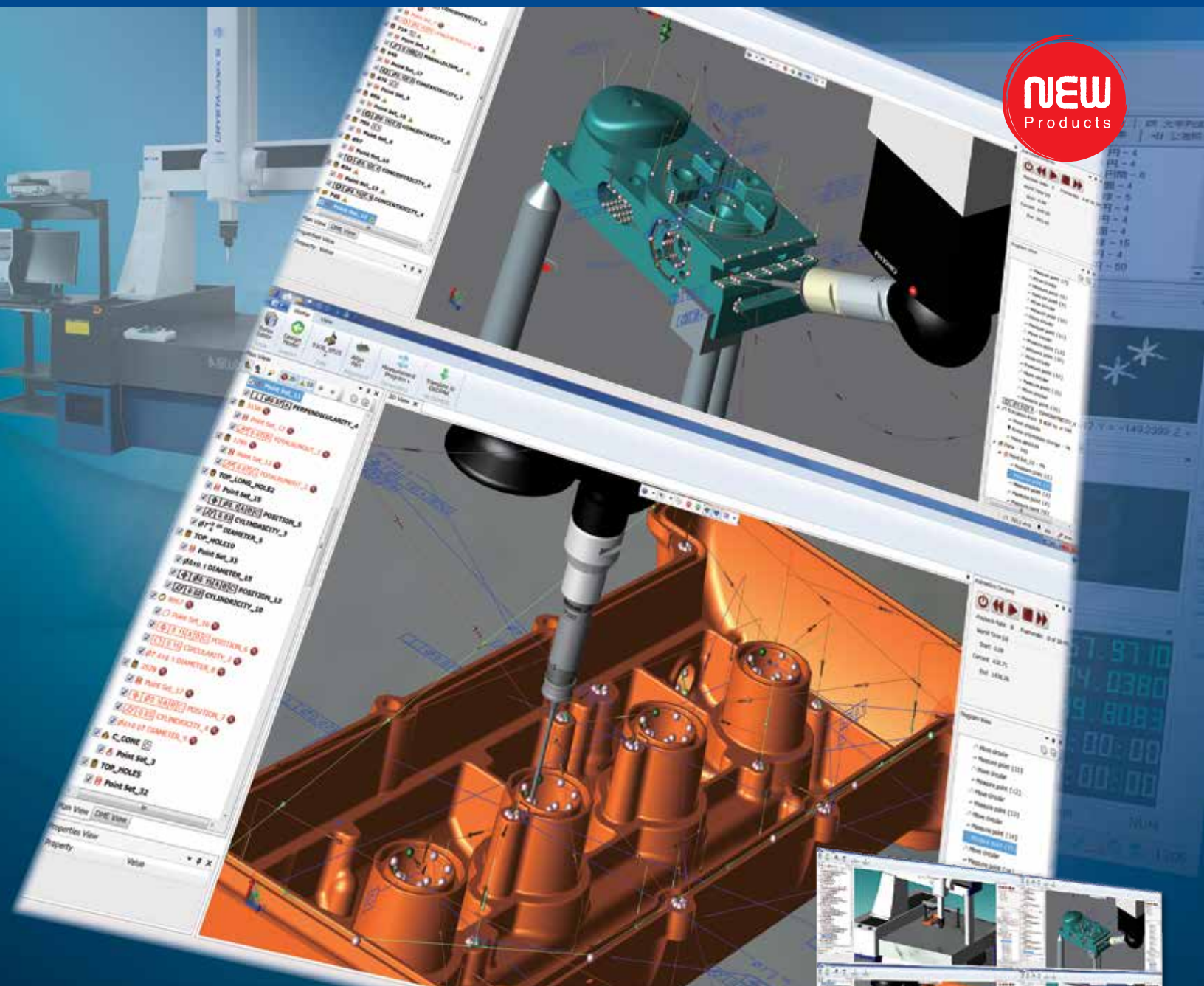
Automatic measurement program generation software **MiCAT Planner**

Changing the world of inspection...with a single click!



Mitutoyo Corporation
80th Anniversary
Since 1934

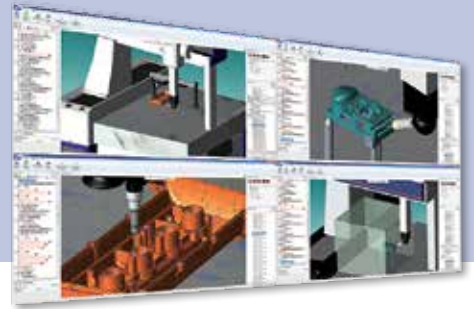
Coordinate Measuring Machines



Catalog No. E16019

Mitutoyo

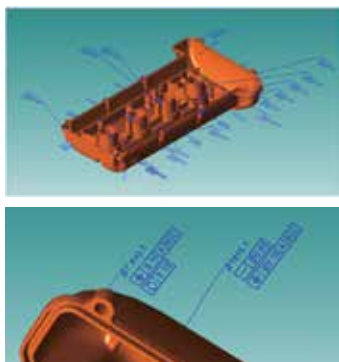
Automatic measurement program generation software MiCAT Planner



FEATURES

- Uses software to identify tolerance information included in 3D models with Product and Manufacturing Information (PMI), defines the location for measurement, and creates a measurement program fully automatically.
 - Through its optimization function, the software estimates the shortest route for measurement with the minimum number of probe re-positionings and tool changes; and creates a program that enables measurement in the shortest time.
 - Utilizing the rule editor function to set the measurement rules prevents variation in measurement quality between program writers.
 - Automation enables programming time to be reduced by up to 95%*, enabling a significant potential increase in the efficiency of measurement work.
- * Compared with programming using general-purpose software.

CAD data with PMI (GD&T)



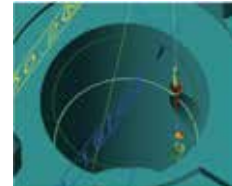
CMM system structural information



User-defined measurement rules, etc.
Number of locations to measure, sampling pattern, etc.

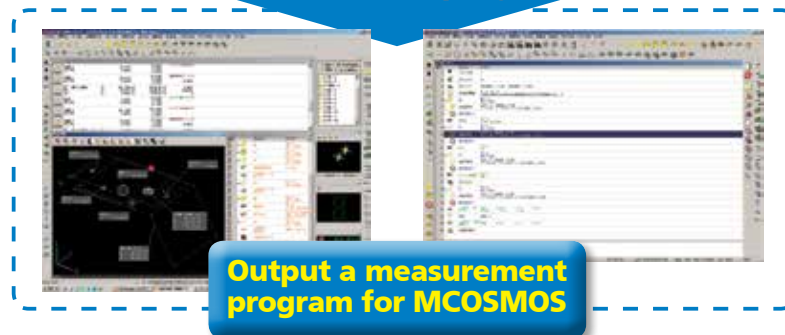


Example of sampling method: touch measurement



Example of sampling method: scanning measurement

Instantly and automatically creates a measurement program



Mitutoyo

Mitutoyo Canada Inc.

2121 Meadowvale Blvd.
Mississauga, ON L5N 5N1
Tel. (905) 821-1261

7075 Place Robert-Joncas, Suite 129
Montréal, QC H4M 2Z2
Tél. 514-337-5994

www.mitutoyo.ca
info@mitutoyo.ca

Mitutoyo Quality

Coordinate Measuring Machines	
Vision Measuring Machines	
Form Measurement	
Optical Measuring	
Sensor Systems	
Test Equipment	
Digital Scale and DRO Systems	
Small Tool Instruments and Data Management	

Note: All information regarding our products, and in particular the illustrations, drawings, dimensional and performance data contained in this printed matter as well as other technical data are to be regarded as approximate average values. We, therefore, reserve the right to make changes to the corresponding designs. The stated standards, similar technical regulations, descriptions and illustrations of the products were valid at the time of printing. In addition, the products are subject to Canadian Export Administration Regulations. Re-export or relocation of Mitutoyo products may require prior approval by an appropriate governing authority. We have tried to be as accurate as possible, however, there may be some errors in text, specifications or price. Please confirm with your customer service rep. We reserve the right to change specifications and prices without notice.