

Digital Caliper with waterproof scale **IP67 ABSOLUTE** **Coolant Proof Caliper**



Can be used in environments with heavy exposure to coolants.



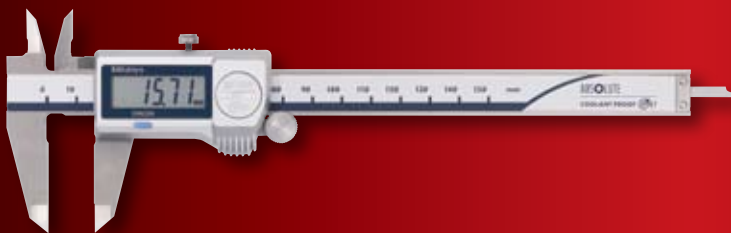
ABSOLUTE™

IP67

TÜVRheinland®
CERTIFIED

www.tuv.com
ID 000045042

Small Tool Instruments and Data Management



- Patent registered in Japan, U.S.A., China, Germany, U.K., France, Switzerland, and India.
- Design pending application in Japan, U.S.A., EU member nations, and China.



Digital Caliper with waterproof scale IP67 ABSOLUTE Coolant Proof Caliper



Features

- ABS Coolant Proof Caliper with Dust/Water Protection conforming to IP67 Level. Can be used in workshop conditions exposed to coolant, water, dust or oil. 100% air-leak test ensures every caliper conforms to IP67.
- Font height is 9mm (increased by 22%) and visibility is improved.
- Battery cap does not require a screw driver for battery replacement.
- Extended battery life of 5 years due to low-current integrated circuit.
- Easy to use — advanced ergonomic design uses only 1 button.
- Incorporates Mitutoyo's ABSOLUTE measurement system. No need to reset the origin.



Battery cap

- The automatic power-on/off function shuts down the LCD display after 20 minutes inactivity, but the ABS scale origin is unaffected. Power is restored to the display when the slider is moved.
- Stepped features can be measured.
- Can be integrated into statistical process control and measurement systems.
- An inspection certificate is supplied as standard. (However, this cannot be used as a calibration certificate as it is undated.)

Specifications

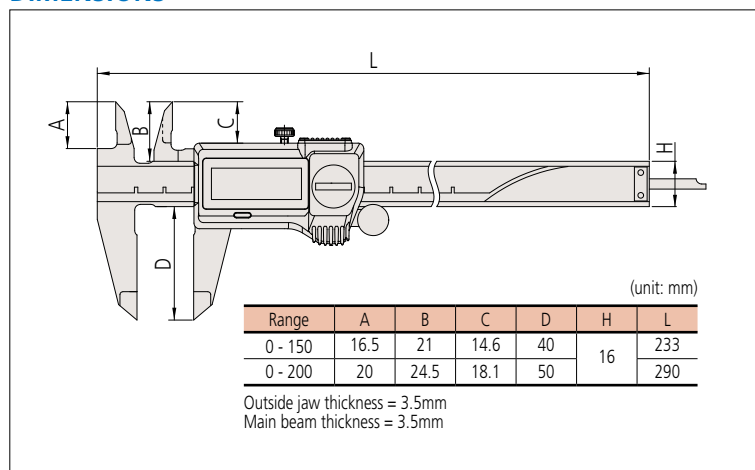
| Metric | | | | | | |
|------------|-----------|-----------|------|------------------------------|--------------|------------------|
| Order No. | Range | Accuracy* | Mass | Measurement data output port | Thumb roller | Remarks |
| 500-702-20 | 0 - 150mm | ±0.02mm | 168g | — | ✓ | Depth bar ø1.9mm |
| 500-703-20 | 0 - 200mm | | 198g | | | |
| 500-712-20 | 0 - 150mm | | 168g | | | |
| 500-713-20 | 0 - 200mm | | 198g | | | |
| 500-719-20 | 0 - 150mm | | 168g | | | |
| 500-721-20 | 0 - 150mm | | 168g | | | |
| 500-722-20 | 0 - 200mm | | 198g | | | |
| 500-723-20 | 0 - 150mm | | 168g | | | |
| 500-724-20 | 0 - 200mm | | 198g | | | |

* Not including quantizing error of ±1 count in LSD

| Inch/Metric | | | | | | |
|-------------|--------|--------------------|------|------------------------------|--------------|---|
| Order No. | Range | Accuracy* | Mass | Measurement data output port | Thumb roller | Remarks |
| 500-731-20 | 0 - 6" | ±.001"/ ±0.02mm | 168g | — | ✓ | Carbide-tipped jaws for outside measurement |
| 500-732-20 | 0 - 8" | | 198g | | | |
| 500-733-20 | 0 - 6" | | 168g | | | |
| 500-734-20 | 0 - 8" | | 198g | | | |
| 500-735-20 | 0 - 6" | | 168g | | | |
| 500-736-20 | 0 - 8" | | 198g | | | |
| 500-737-20 | 0 - 6" | | 168g | | | |
| 500-738-20 | 0 - 8" | | 198g | | | |
| 500-752-20 | 0 - 6" | | 168g | | | |
| 500-753-20 | 0 - 8" | | 198g | | | |
| 500-762-20 | 0 - 6" | 168g | | | | |
| 500-763-20 | 0 - 8" | 198g | | | | |
| 500-768-20 | 0 - 6" | 168g | | | | |
| 500-769-20 | 0 - 6" | 168g | | | | |

* Not including quantizing error of ±1 count in LSD

DIMENSIONS



Technical Data

- Resolution: 0.01mm or .0005"/0.01mm
- Repeatability: 0.01mm or .0005"/0.01mm
- Power supply: **SR44** (1 pc), **938882**, for initial operational checks (standard accessory)
- Battery life: Approx. 5 years under normal use
- Max. response speed: Unlimited

Optional accessories

Dedicated for the models equipped with a digimatic output function.

● Connecting cables for IT/DP/MUX

- No.05CZA624: SPC cable with data button (1m)
- No.05CZA625: SPC cable with data button (2m)



● USB Input Tool Direct

- No.06ADV380A: SPC cable for USB-ITN-A (2m)

● Connecting cables for U-WAVE-T

- No.02AZD790A: SPC cable for U-WAVE with data button (160mm)
- No.02AZE140A: SPC cable for footswitch

Mitutoyo

Mitutoyo Corporation

20-1, Sakado 1-Chome,
Takatsu-ku, Kawasaki-shi,
Kanagawa 213-8533, Japan
T +81 (0) 44 813-8230
F +81 (0) 44 813-8231
<http://www.mitutoyo.co.jp>



Find additional product literature and our product catalogue

<http://www.mitutoyo.co.jp/global.html>

Note: All information regarding our products, and in particular the illustrations, drawings, dimensional and performance data contained in this pamphlet, as well as other technical data are to be regarded as approximate average values. We therefore reserve the right to make changes to the corresponding designs, dimensions and weights. The stated standards, similar technical regulations, descriptions and illustrations of the products were valid at the time of printing. Only quotations submitted by ourselves may be regarded as definitive. Our products are classified as regulated items under Japanese Foreign Exchange and Foreign Trade Law. Please consult us in advance if you wish to export our products to any other country. If the purchased product is exported, even though it is not a regulated item (Catch-All controls item), the customer service available for that product may be affected. If you have any questions, please consult your local Mitutoyo sales office.

Coordinate Measuring Machines

Vision Measuring Systems

Form Measurement

Optical Measuring

Sensor Systems

Test Equipment and Seismometers

Digital Scale and DRO Systems

Small Tool Instruments and Data Management